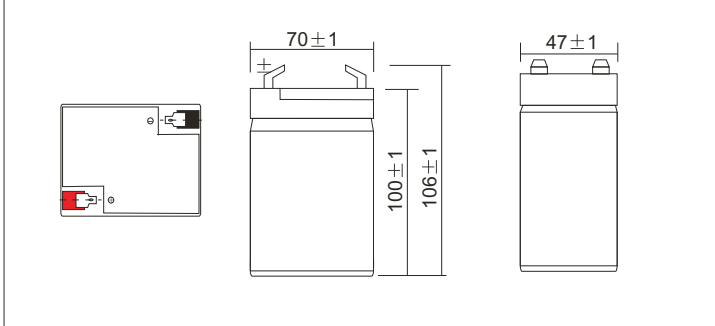


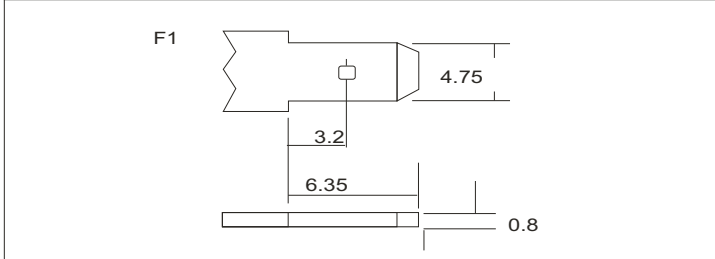


**PS-640 6V 4.5AH**

**Dimensions (mm)**



**Standard Terminal (mm)**



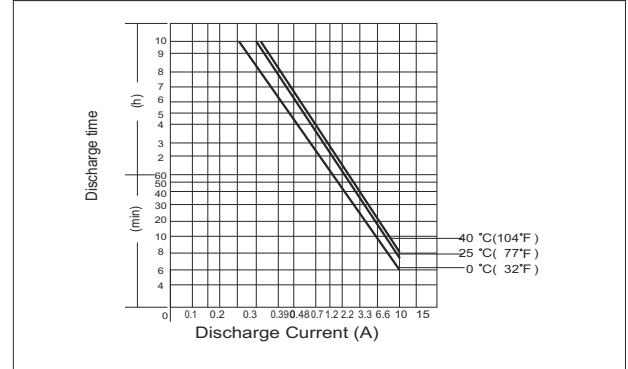
**Physical Specification**

Nominal Voltage		6V
Nominal Capacity (20HR)		4.5AH
Dimension	Length	70 ± 1mm
	Width	47 ± 1mm
	Container Height	100 ± 1mm
	Total Height (with Terminal)	106 ± 1mm
Weight		Approx 0.81kg
Standard Terminal		F1

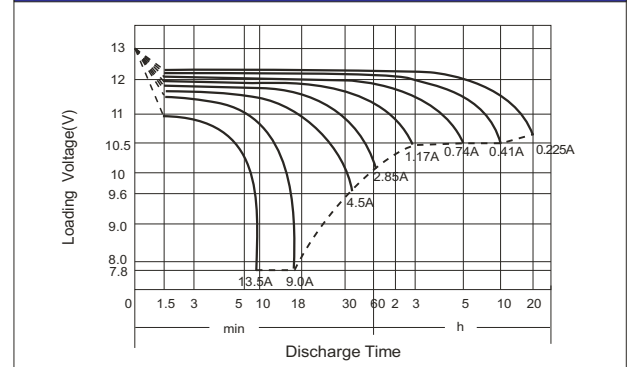
**Electrical Specification**

Rated Capacity	20 hour rate (225mA)	4.5AH	Constant-Voltage	Cycle	Initial Charging Current less than 1.35A. Voltage 7.20V- 7.50V at 25°C (77°F) Temp. Coefficient -15mV/°C
	10 hour rate (410mA)	4.1AH			
	5 hour rate (740mA)	3.7AH			
	1 hour rate (2.85A)	2.85AH			
	15 minute rate (9.02A)	2.255AH			
Capacity affected by Temperature	40°C (104°F)	103%	Charge	Standby	No limit on Initial Charging Current Voltage 6.75V-6.90V at 25°C(77°F) Temp. Coefficient -10mV/°C
	25°C (77°F)	100%			
	0°C (32°F)	86%			

**Discharging Current & Discharge Duration Time**



**Discharge Characteristics (25°C ,77°C)**



**Constant Current Discharge Characteristics Unit: Amperes (25°C, 77°F)**

F.V/Time	5MIN	10MIN	15MIN	30MIN	1HR	2HR	3HR	4HR	5HR	8HR	10HR	20HR
1.60V	17.40	11.80	8.73	5.18	2.93	1.67	1.27	1.02	0.83	0.545	0.452	0.236
1.67V	15.00	10.54	7.92	4.80	2.79	1.60	1.21	0.97	0.79	0.536	0.443	0.234
1.70V	14.30	10.07	7.68	4.65	2.74	1.58	1.18	0.95	0.78	0.532	0.438	0.231
1.75V	12.97	9.24	7.19	4.46	2.65	1.51	1.15	0.93	0.77	0.524	0.434	0.227
1.80V	11.50	8.41	6.59	4.30	2.53	1.46	1.13	0.91	0.75	0.515	0.430	0.225
1.85V	8.57	6.58	5.45	3.64	2.26	1.34	1.05	0.85	0.69	0.486	0.406	0.223

**Constant Power Discharge Characteristics Unit: Watts (25°C, 77°F)**

F.V/Time	5MIN	10MIN	15MIN	30MIN	1HR	2HR	3HR	4HR	5HR	8HR	10HR	20HR
1.60V	86.4	60.2	45.9	28.3	16.50	9.52	7.26	5.87	4.82	3.194	2.667	1.393
1.67V	76.8	55.2	42.5	26.6	15.90	9.18	6.96	5.61	4.61	3.150	2.618	1.383
1.70V	73.8	53.0	41.3	25.8	15.60	9.06	6.82	5.54	4.57	3.129	2.593	1.370
1.75V	68.9	49.8	39.2	24.9	15.20	8.73	6.65	5.40	4.52	3.089	2.571	1.347
1.80V	62.4	46.1	36.4	24.2	14.60	8.45	6.55	5.30	4.36	3.043	2.547	1.335
1.85V	47.0	36.5	30.5	20.8	13.13	7.80	6.12	4.99	4.08	2.877	2.410	1.324

